

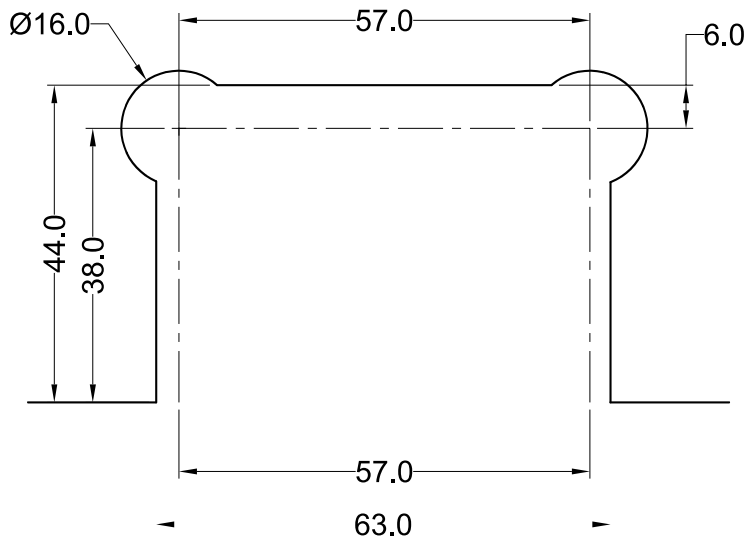
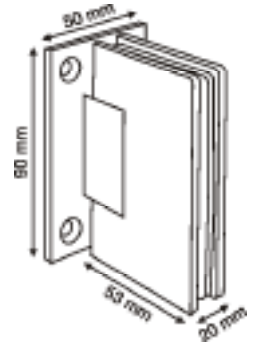


OSH-111-ED-CP
OSH-111-ED-BN
Application : Wall To Glass Hinge

Specification Text

- Glass Thickness 8mm (5/16") - 12mm (1/2") Tempered Safety Glass
- Can be used for Double Action Doors
- Solid Brass construction with Stainless Steel Pins and Springs
- Hinges Swings 90 degrees in and out
- Precise closing to 0 degrees
- Cut-Out Required
- Includes Screws, Gaskets(to prevent glass damage), Plastic Dowels and Glass Fabrication Dimensions.

Finish Options - CP-Chrome Polished and BN - Brushed Nickle



*Maximum Door Capacities	3/8" (10mm) Glass		1/2" (12mm) Glass	
	Weight	Width	Weight	Width
Using 2 Hinges	80 lbs.(36 kg)	28*(711mm)	80 lbs.(36 kg)	28*(711mm)
Using 3 Hinges	120 lbs.(54kg)	32*(813mm)	120 lbs.(54)kg)	32*(813mm)

*Note : Do not exceed either maximum weight or width when choosing proper quantity of hinges.

*Note : Do not use spray lubricant on these hinges