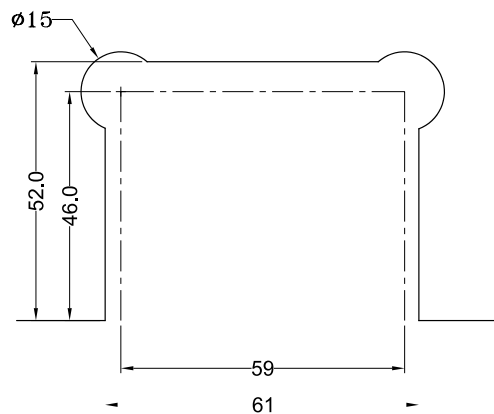
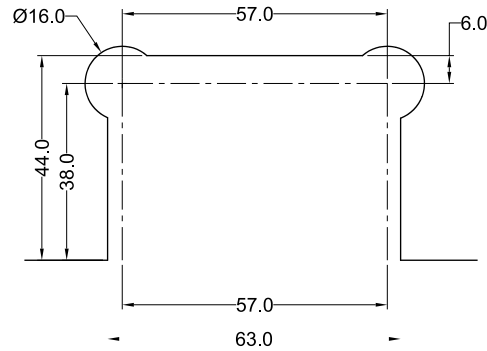
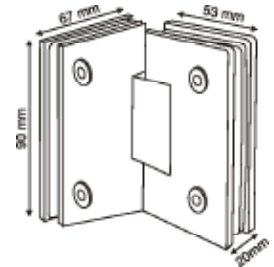




**OSH-333-ED-CP**  
**OSH-333-ED-BN**  
**Application**  
 Glass To Glass Hinge 135°

**Specification Text**

- Glass Thickness 8mm (5/16") - 12mm (1/2") Tempered Safety Glass
  - Can be used for Double Action Doors
  - Solid Brass construction with Stainless Steel Pins and Springs
  - Precise closing to 0 degrees
  - Cut-Out Required
  - Includes Gaskets (to prevent glass damage), and Glass Fabrication Dimensions.
- Finish Options** - CP-Chrome Polished and BN - Brushed Nickel



*Maximum Door Capacities	3/8" (10mm) Glass		1/2" (12mm) Glass	
	Weight	Width	Weight	Width
Using 2 Hinges	80 lbs.(36 kg)	28*(711mm)	80 lbs.(36 kg)	28*(711mm)
Using 3 Hinges	120 lbs.(54kg)	32*(813mm)	120 lbs.(54)kg)	32*(813mm)

\*Note : Do not exceed either maximum weight or width when choosing proper quantity of hinges.

\*Note : Do not use spray lubricant on these hinges